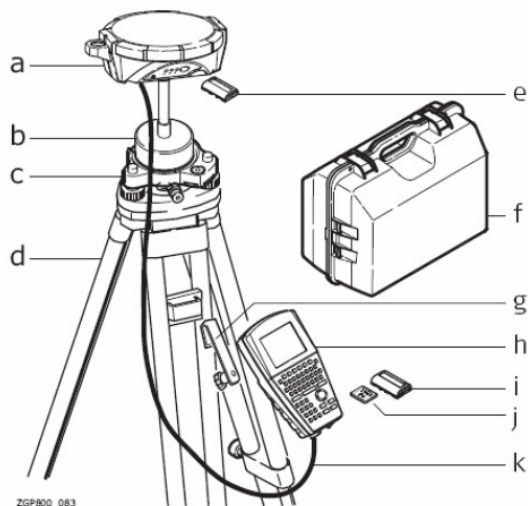


## ZGP800 Post-Processing GPS

### Hardware setup

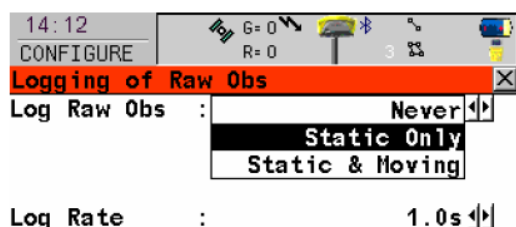


- a) ZGP800A
- b) ZCA100 carrier\*
- c) ZTR100 tribrach
- d) Tripod
- e) ZBA200 battery for ZGP800A
- f) Transport container
- g) ZMH100 tripod bracket for ZGP800C
- h) ZGP800C
- i) ZBA200 battery for ZGP800C
- j) CompactFlash card
- k) ZDC210 cable

\* The ZCA100 carrier has a screw fitting. ZGP800A fits directly onto this fitting.

### Configuring the controller for Raw Data Logging

From the **Main Menu** select **Configure** (5) > **Survey Configure** (1) > **Raw Data Logging** (4)



- Choose the required type of “raw observations to be observed”. E.g. **Static Only**
- Choose the required **Log Rate**. E.g. **1.0s**
- Select **CONT (F1)**

**Static Only** will only log data when occupying a position

**Static & Moving** will continuously log raw data even while the instrument is in motion

## Recording Raw Data

Open the **Survey** program:

From the **Main Menu** select **Programs (2) > Survey (3)**

15:38 SURVEY

**Survey Begin**

Job : job name

Coord System : coord sys name

Codelist : <None>

Antenna : ZGP800A Tripod

					a ↑
CONT	CONF			DATA	CSYS

- Select the required Job
- Select the WGS1984 coordinate system
- Select **CONT (F1)**

## Surveying the Point

Enter the required data

15:37 SURVEY

**Survey: job name**

Survey [Auto] [Map]

Point ID : 0002

Antenna Ht : 2.000 m

Code : <None>

Linework : -----

3D CQ : 2.000 m

					a ↑
OCUPY					PAGE

- Select **OCUPY (F1)** to start measuring the point
- Select **STOP (F1)** when enough data is collected for the point
- Select **STORE (F1)** to store the point

GeoMax Product Management Team  
**GEOMAX AG**